

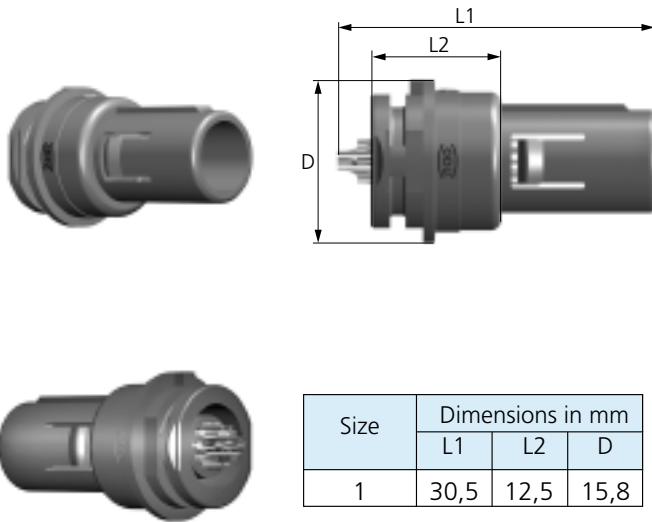
### Part Number Key

1	2	3	4	5	6	7	8	9	10	11	12	13	14	15	16	17	18	19
			1	M			-	0						-				

## Disposable - Break-Apart Plug

(Suitable for all showed Receptacles and In-Line-Receptacles)

**A 5** - IP 67 – Break-Apart Plug (Single use)



### Technical Data

- Housing and insulator made in special plastic
- IP 67 with overmoulding
- On Position 8 of the P/N there is a 0
- Special Protective Cover KM1 013 50. 9.. 00.
- Autoclavable version on request



Break-Apart Plug mated with Protective Cover (page 33)