

### Part Number Key

1	2	3	4	5	6	7	8	9	10	11	12	13	14	15	16	17	18	19
			1	M			-	P						-				

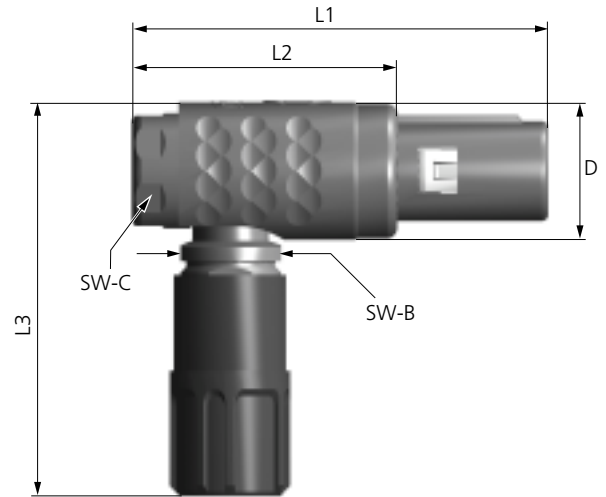
### Right-Angle Plug

(Suitable for all following receptacles and In-Line-Receptacles)

**W 1** - IP 50 – with Standard Back Nut

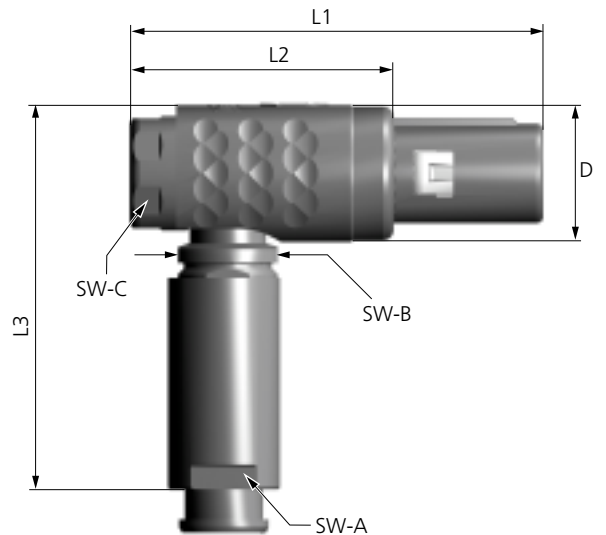
**W 2** - IP 50 – with Back Nut for Cable Bend Relief

**W 1**



Contact configuration from page 22

**W 2**



Size	Dimensions in mm						
	L1	L2	L3	D	SW-A	SW-B	SW-C
1	~42	~27	~40	13,7	9	10	11