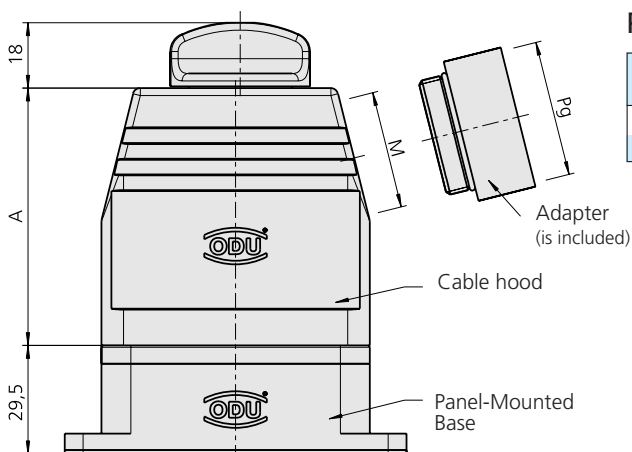


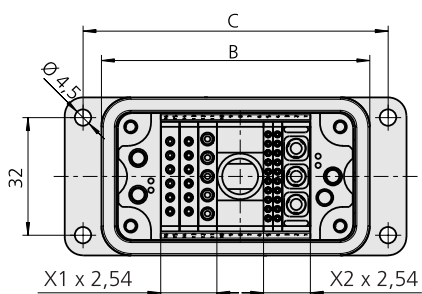
## ODU MAC DIN housing for Spindle Locking



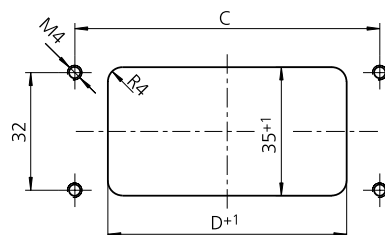
### Part number adapter

Exit M	with adapter exit PG	Part number
M25 x 1,5	PG 21	921 000 006 000 254
M32 x 1,5	PG 29	921 000 006 000 255

Box-Mounted Base on request!



### Panel Cut-Out



Cable gland see page 75.

### White housing

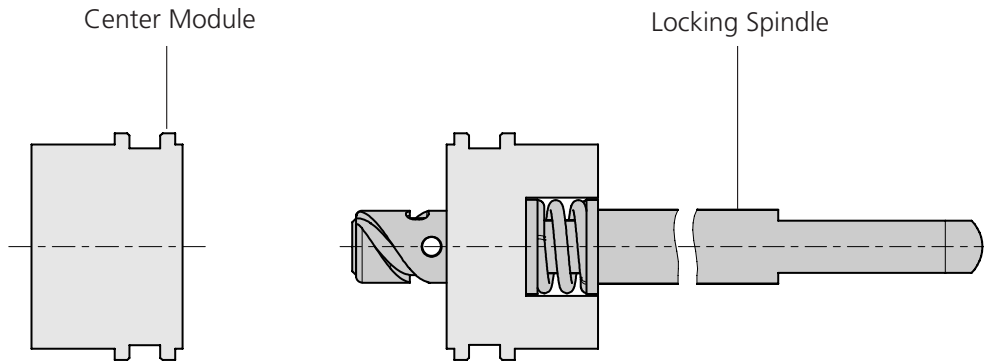
Size	Part Number. Cable hood incl. adapter	Part Number. Panel Mounted Base	Dim. A	Dim. B	Dim. C	Dim. D	X1	X2	Exit M	with adapter Exit PG	Spindle head
2	613 091 513 653 003	612 091 010 653 000	50	73	83	60	6	5	M 25 x 1,5	PG 21	white
2	613 091 514 653 003	612 091 010 653 000	70	73	83	60	6	5	M 32 x 1,5	PG 29	
3	613 092 514 653 003	612 092 010 653 000	76	93,5	103	82	10	9	M 32 x 1,5	PG 29	
4	613 093 514 653 003	612 093 010 653 000	78	120	130	108	15	14	M 32 x 1,5	PG 29	

### Grey housing

Size	Part Number. Cable hood incl. adapter	Part Number. Panel Mounted Base	Dim. A	Dim. B	Dim. C	Dim. D	X1	X2	Exit M	with adapter Exit PG	Spindle head
2	613 091 513 644 008	612 091 010 644 000	50	73	83	60	6	5	M 25 x 1,5	PG 21	black
2	613 091 514 644 008	612 091 010 644 000	70	73	83	60	6	5	M 32 x 1,5	PG 29	
3	613 092 514 644 008	612 092 010 644 000	76	93,5	103	82	10	9	M 32 x 1,5	PG 29	
4	613 093 514 644 008	612 093 010 644 000	78	120	130	108	15	14	M 32 x 1,5	PG 29	

### ODU-MAC Spindle Locking System, Version 1

For Sockets (Receptacle) in Panel- or Box-Mounted Base and Pins (Plug) in Cable Hood.  
 max. mating cycles: 20.000



Space requirement: 5 units (5 x 2,54 mm)

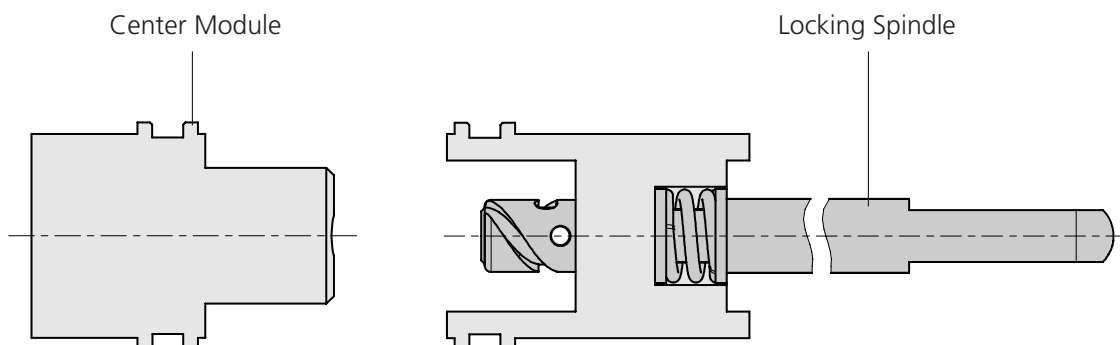
#### Version 1

Size	Center Module for Panel or Box Mounted Base	Locking Spindle in Cable Hood
2 (50 mm high)	614 090 001 304 000	615 091 003 200 000
2 (70 mm high)	614 090 001 304 000	615 091 001 200 000
3 / 4	614 090 001 304 000	615 092 001 200 000

Special version on request!

### ODU-MAC Spindle Locking System, Version 2

For Pins (Plug) in Panel- or Box-Mounted Base and Sockets (receptacle) in Cable Hood



#### Version 2

Size	Center Module for Panel or Box Mounted Base	Locking Spindle in Cable Hood
2 (50 mm high)	614 090 002 304 000	615 091 004 200 000
2 (70 mm high)	614 090 002 304 000	615 091 002 200 000
3 / 4	614 090 002 304 000	615 092 002 200 000